



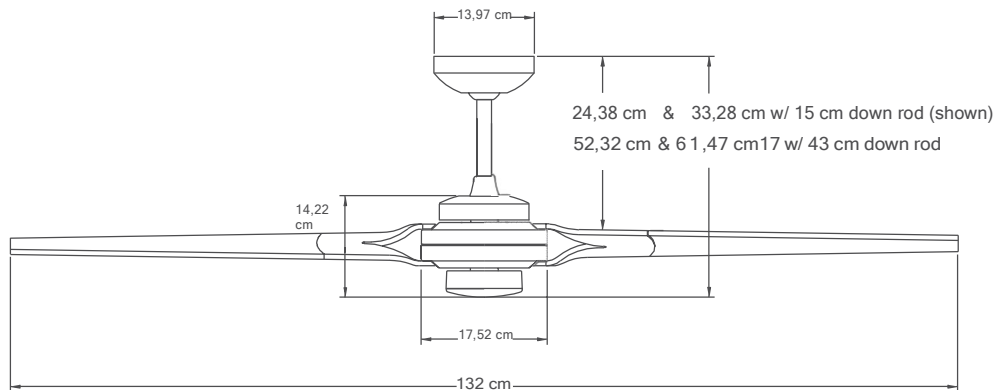
Torsion



Torsion > Configure item number from attributes below.

#TOR	Finish	Blade Span	Blade Color	Light Option	Control Option
	<ul style="list-style-type: none"> GW Gloss White BN Bright Nickel DB Dark Bronze 	<ul style="list-style-type: none"> 42 106 cm Span 52 132 cm Span 62 157 cm Span 	<ul style="list-style-type: none"> WH White NK Nickel BK Black GY Gray wash MP Maple MG Mahogany WW Whitewash 	<ul style="list-style-type: none"> NL No Light 271 17W LED 	<ul style="list-style-type: none"> 001 Fan Speed Only 002 Fan & Light – 3 Wire 003 Handheld Remote

Dimensions



Specifications

- 172mm x 20mm AC motor with reverse switch on fan body
- Die cast aluminum and stamped steel construction
- 132 cm span, plywood blades
- Includes 15 cm and 43cm down rods (longer options also available)
- Optional LED light (#271): 10W, 90 CRI, 3000K, 1350 lumens behind an opal glass diffuser; adds 3,8 cm to length of fan
- Slope compatible up to 33°
- Designed by Dave Ellis
- Weight: 6.8 kgs
- ETL listed for dry and damp locations

Performance Data

LOWEST SPEED

RPM: 82
MCM: 47,59
Watts: 10.2
MCM/W: 4,67

HIGHEST SPEED

RPM: 225
MCM: 175,64
Watts: 65
MCM/W: 2,7

Energy Guide Data

Average Energy Use
37,6 Watts

Average Airflow
111,61 MCM

Average Efficiency
3,68 MCM/Watt

Energy Guide Data represents weighted averages of low speed and high speed performance, assuming typical use (excluding light). For more information, visit www.modernfan.com.