

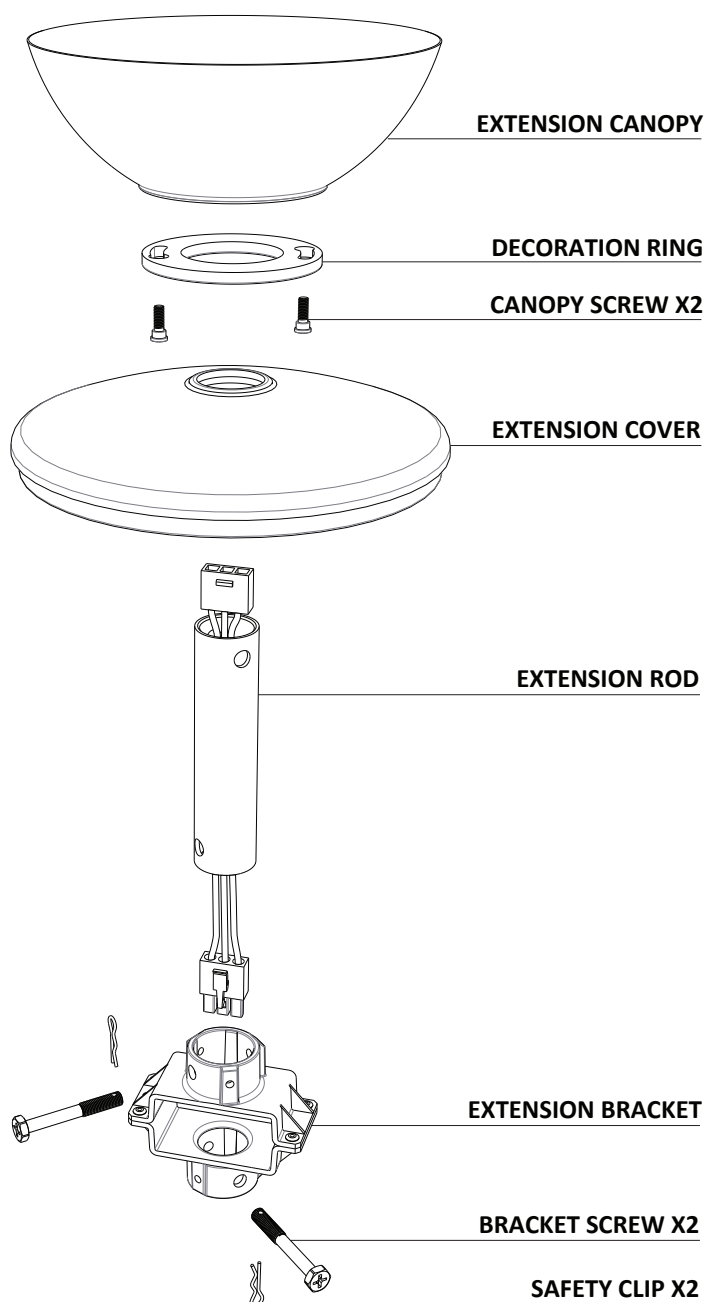
AERATRON

Ceiling Extension Instruction



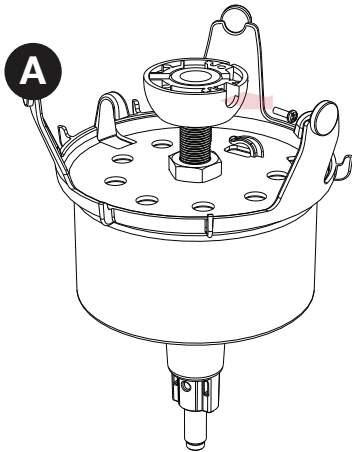
IMPORTANT - Use this Ceiling Extension Instruction in combination with the Aeratron User Manual by Inserting after **STEP 2** of the User Manual supplied with the Fan.

Unpack your EXTENSION KIT and **examine all parts**, you should have the following:

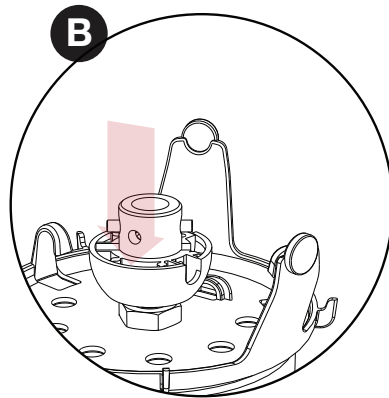


PLEASE NOTE: A small colour variation between the Fan and the retrofit Extension Parts is part of standard manufacturing tolerances and consequently will need to be accepted by the user.

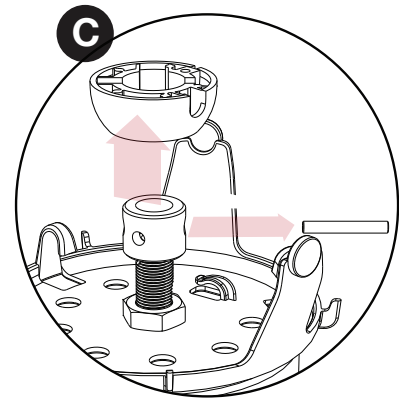
STEP 1 Remove Suspension Ball



Remove Suspension Ball Screw

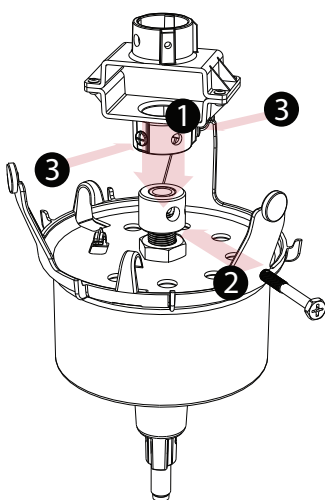


Push Suspension Ball down

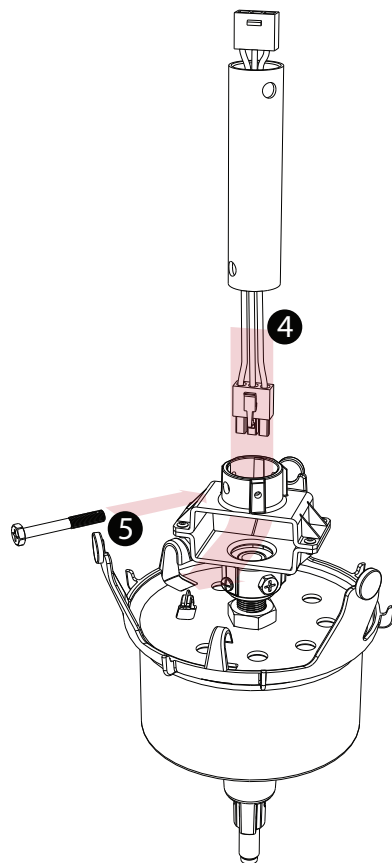


Remove suspension Bolt and Suspension Ball from Motor Shaft

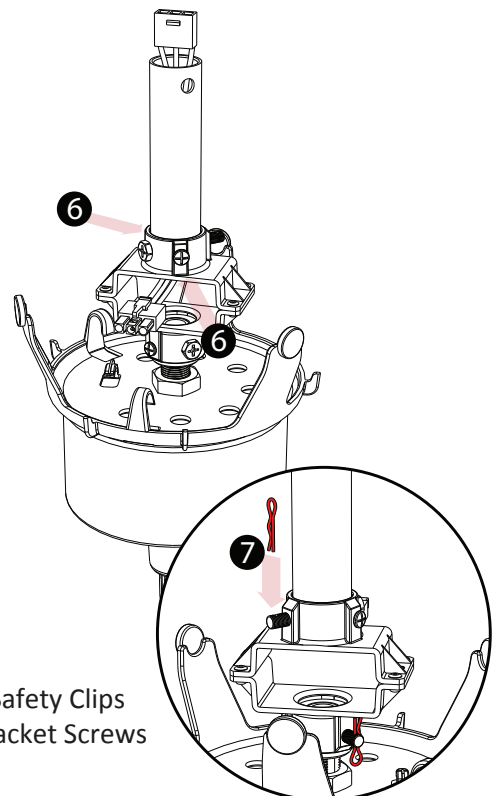
STEP 2 Fit Extension Bracket and Rod



- 1 Fit Extension Bracket to motor Shaft.
- 2 Insert Bracket Screw
- 3 Tighten two Lock Screws

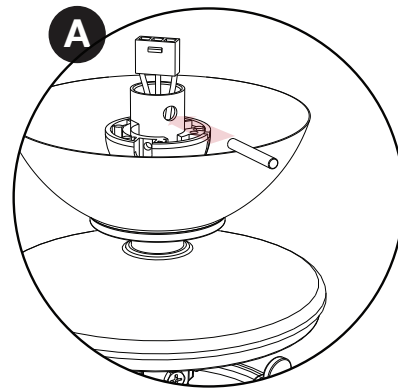
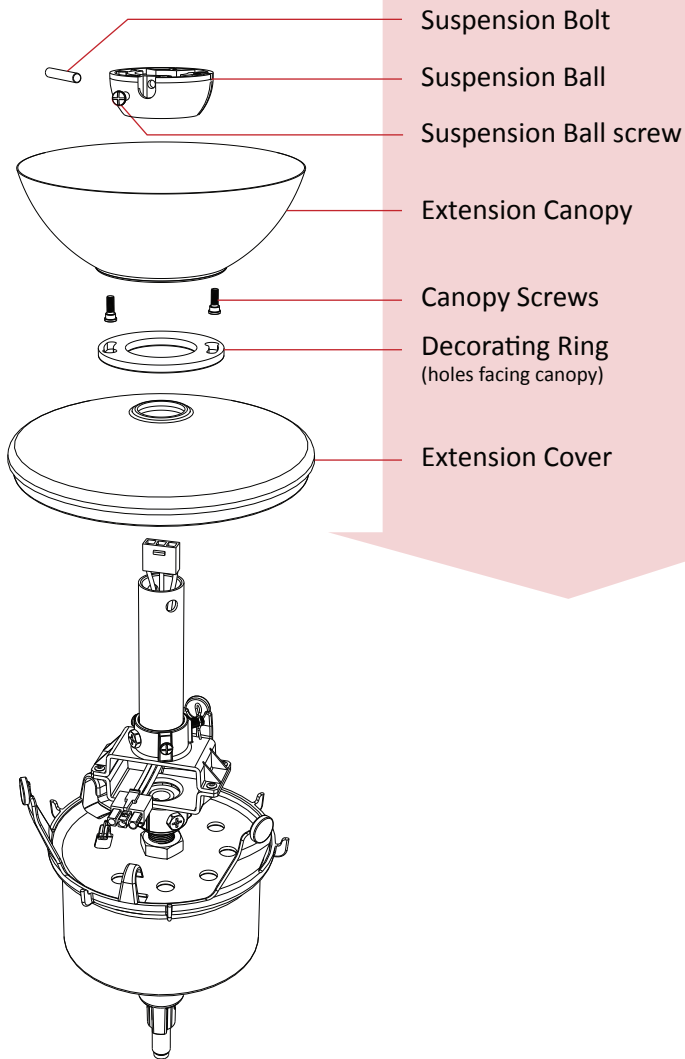


- 4 Fit Extension Rod to Extension Bracket.
- 5 Insert Bracket Screw
- 6 Insert Bracket Screw
- 6 Tighten two Lock Screws

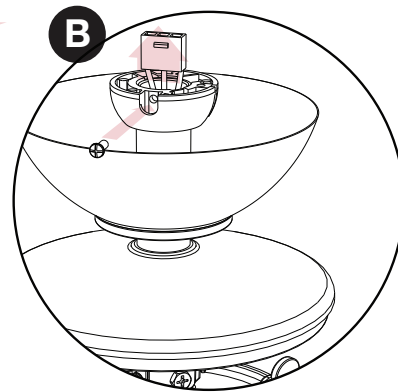


- 7 Insert Safety Clips into Bracket Screws

STEP 3 Assemble Extension parts to Extension Rod

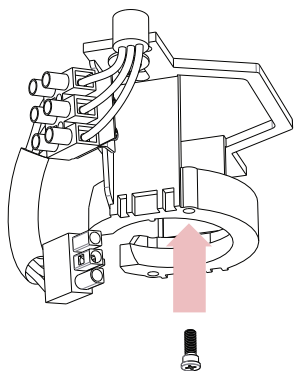


Insert the Suspension Bolt.

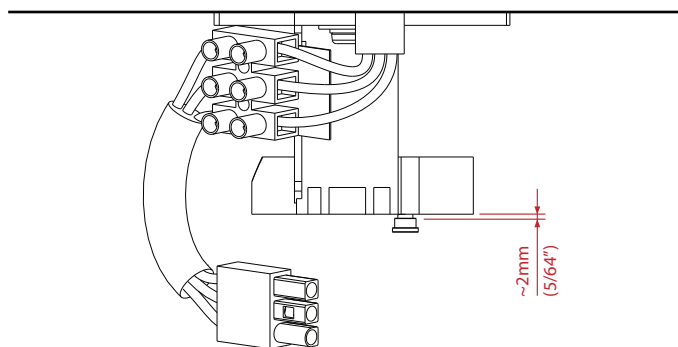


Raise the Suspension Ball to cover the Suspension Bolt and tighten the Suspension Ball Screw.

STEP 4 Fix Canopy Screw to Hanger Bracket

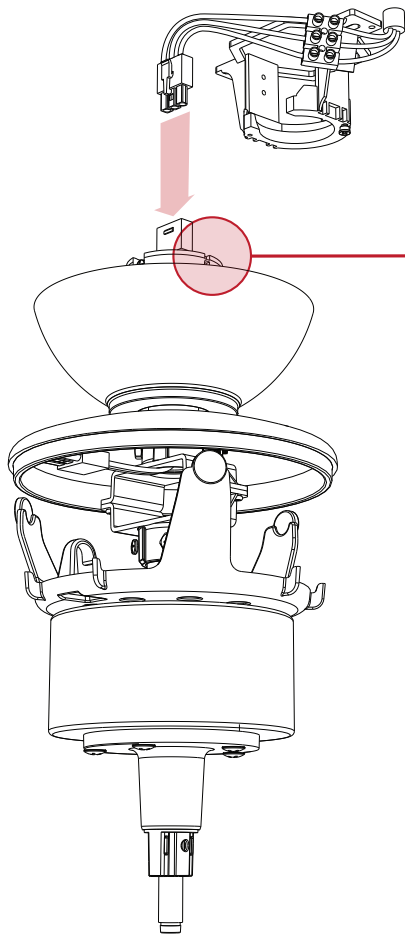


Fix one Canopy Screw to Hanger Bracket.

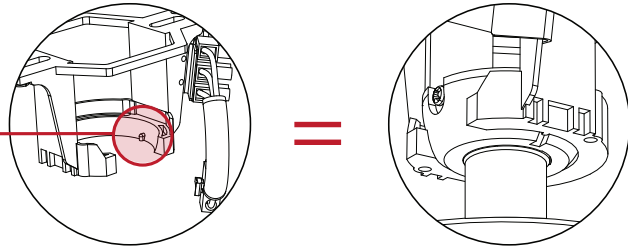


Leave a 2mm gap to the Hanger Bracket

STEP 5 Position the Motor Assembly in Hanger Bracket

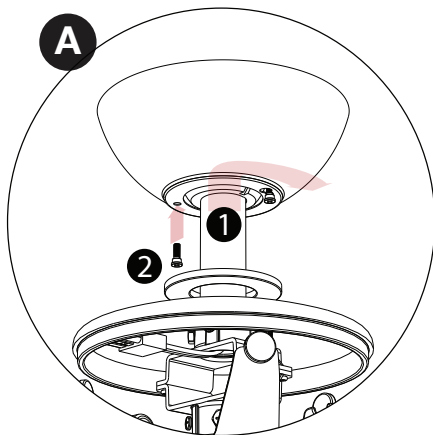


Connect Mains Power Connector to Fan Motor Extension plug.

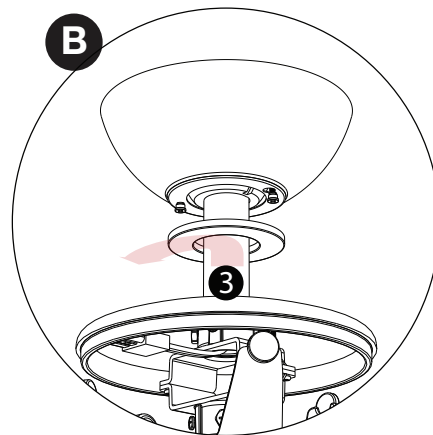


Ensure that lug on Hanger Bracket is engaged in slot in suspension Ball

STEP 6 Attach Canopy and Decoration Ring



- 1 Push Canopy up and rotate clockwise on existing Canopy Screw.
- 2 Insert second Canopy Screw & tighten both.

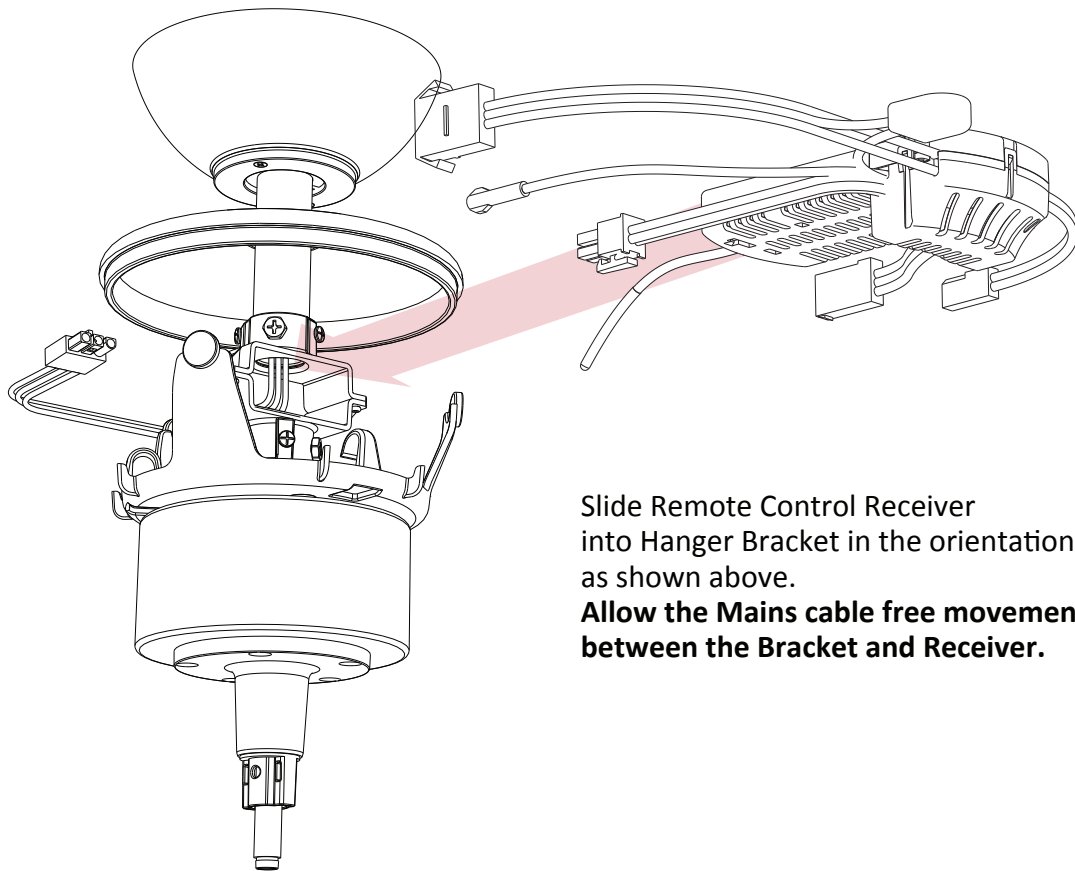


- 3 Line up large holes in Decoration ring with screw heads, push up and rotate counter clockwise.

Note: Move / swivel the motor assembly sideways for easy canopy screw access.

STEP 7

Install Receiver into Extension Bracket



Slide Remote Control Receiver into Hanger Bracket in the orientation as shown above.
Allow the Mains cable free movement between the Bracket and Receiver.



IMPORTANT - Continue at **STEP 5** (Connecting the Receiver) of the User Manual supplied with the fan to complete the installation.

For General Information & Warranty issues refer to the Aeratron™ User Manual available at www.aeratron.io

Thank you. Your Aeratron team.

AERATRON

Ceiling Extension Edition 2021/06